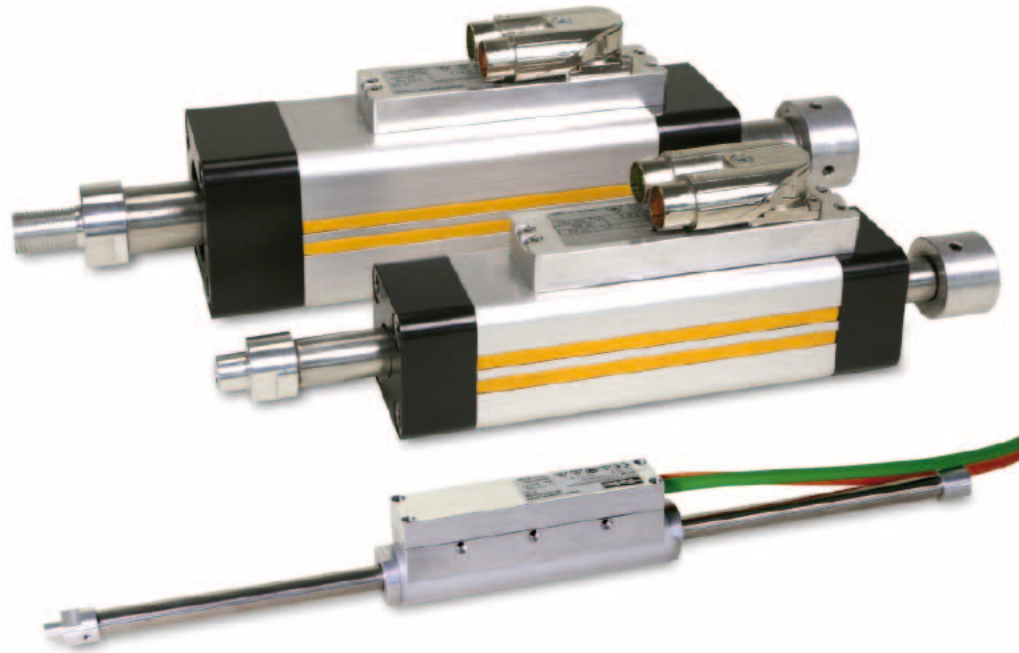


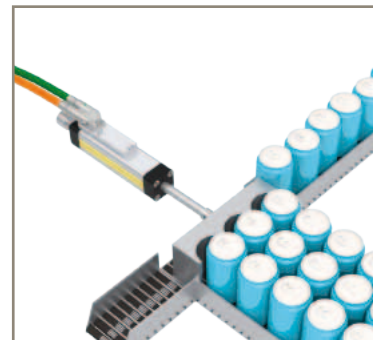


aerospace
climate control
electromechanical
filtration
fluid & gas handling
hydraulics
pneumatics
process control
sealing & shielding



ETT - Electric Tubular Motor

Linear Handling and Pick & Place Applications



ENGINEERING YOUR SUCCESS.



WARNING – USER RESPONSIBILITY

FAILURE OR IMPROPER SELECTION OR IMPROPER USE OF THE PRODUCTS DESCRIBED HEREIN OR RELATED ITEMS CAN CAUSE DEATH, PERSONAL INJURY AND PROPERTY DAMAGE.

- This document and other information from Parker-Hannifin Corporation, its subsidiaries and authorized distributors provide product or system options for further investigation by users having technical expertise.
- The user, through its own analysis and testing, is solely responsible for making the final selection of the system and components and assuring that all performance, endurance, maintenance, safety and warning requirements of the application are met. The user must analyze all aspects of the application, follow applicable industry standards, and follow the information concerning the product in the current product catalog and in any other materials provided from Parker or its subsidiaries or authorized distributors.
- To the extent that Parker or its subsidiaries or authorized distributors provide component or system options based upon data or specifications provided by the user, the user is responsible for determining that such data and specifications are suitable and sufficient for all applications and reasonably foreseeable uses of the components or systems.

Overview	5
Technical Characteristics.....	6
Technical Data.....	6
Standards and Conformance	7
Speed Force Curves	8
Associated Drives.....	9
Dimensions	10
Layout and Connectors ETT032 & ETT050	11
Accessories and Options	12
Mounting Methods	12
Cylinder Rod Version.....	14
Feedback.....	15
Order Code.....	16
ETT Electric Tubular Motor (Complete Unit)	16
ETT - Motor and Signal Cable.....	16
ETT Electric Tubular Motor (Rod only).....	17
ETT Electric Tubular Motor (Coil only).....	17
ETT - Length of Rod / Table of Stroke.....	18

Parker Hannifin

The global leader in motion and control technologies

A world class player on a local stage

Global Product Design

Parker Hannifin has more than 40 years experience in the design and manufacturing of drives, controls, motors and mechanical products. With dedicated global product development teams, Parker draws on industry-leading technological leadership and experience from engineering teams in Europe, North America and Asia.

Local Application Expertise

Parker has local engineering resources committed to adapting and applying our current products and technologies to best fit our customers' needs.

Manufacturing to Meet Our Customers' Needs

Parker is committed to meeting the increasing service demands that our customers require to succeed in the global industrial market. Parker's manufacturing teams seek continuous improvement through the implementation of lean manufacturing methods throughout the process. We measure ourselves on meeting our customers' expectations of quality and delivery, not just our own. In order to meet these expectations, Parker operates and continues to invest in our manufacturing facilities in Europe, North America and Asia.

Electromechanical Worldwide Manufacturing Locations

Europe

Littlehampton, United Kingdom
Dijon, France
Offenburg, Germany
Filderstadt, Germany
Milan, Italy

Asia

Wuxi, China
Chennai, India

North America

Rohnert Park, California
Irwin, Pennsylvania
Charlotte, North Carolina
New Ulm, Minnesota



Offenburg, Germany

Local Manufacturing and Support in Europe

Parker provides sales assistance and local technical support through a network of dedicated sales teams and authorized technical distributors throughout Europe.

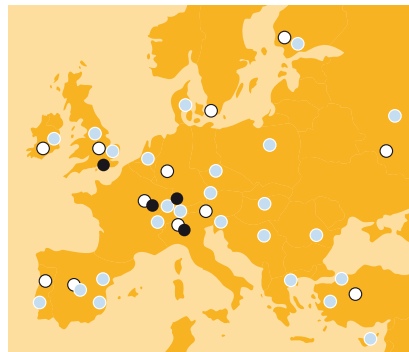
For contact information, please refer to the Sales Offices on the back cover of this document or visit www.parker.com



Milan, Italy



Littlehampton, UK



- Electromechanical Manufacturing
- Parker Sales Offices
- Distributors



Dijon, France

Electric Tubular Motor - ETT

Overview

Description

ETT is a direct thrust linear motor actuator, ideally suited for all kinds of linear handling and pick & place applications. It is a cost-effective and energy-efficient alternative to pneumatic cylinders in applications that demand greater flexibility and control.

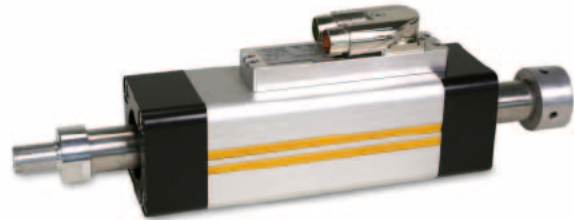
The ETT's linear motion is directly generated without the need for mechanical transmission elements like ball screws, toothed belts and gearboxes. The tubular motor has two main components; the rod (shaft) and the stator with integrated feedback (body). The shaft is made of a stainless steel tube with built in neodymium magnets, that thanks to their high performance, are able to deliver impressive thrust values up to 512 N. The main body comprises the stator winding, the feedback electronics and high performance bearings. A major benefit of the ETT design is that long and/or heavy duty cycles are possible without the need of additional cooling. The IP67 protection class allows the ETT tubular motor to be used in harsh environmental conditions.

Features

- Ultra dynamic linear motion and position control capabilities
- Ideally suited for pneumatic substitution where greater position control capabilities are required
- Three lengths and three sizes meeting the requirements of the pneumatic ISO flange standard (DIN ISO 15552:2005-12) for simplified mechanical integration
- Swivelling electrical connectors and extensive accessory options allow flexible mounting
- Reduced mechanical complexity delivers high energy efficiency and reduces maintenance
- AISI304 stainless steel shaft allows it's use in "clean" environments
- High thermal efficiency improves reliability and increases mechanical life
- Wide choice of rod end mounting options, including swivel rod eye, increases flexibility

Application

- Food, Pharmaceutical & Beverage
- Packaging Machines
- Material Handling
- Factory Automation



Technical Characteristics - Overview

Motor type	Linear tubular servo motor
Rod	AISI304 (stainless steel)
Rated force	6 ... 128 N
Peak force	24 ... 512 N
Speed range	up to 4 m/s
Acceleration range	200 m/s ²
Mounting	Screw fixed
Shaft end	With screw fix external thread (standard) Other (option)
Cooling	Natural ventilation
Protection level (IEC60034-5)	IP67
Feedback sensor	1 Vpp Sine/Cosine encoder
Thermal protection	KTY
Marking	CE
Voltage supply	230 VAC other voltage on request
Temperature class	Class F
Connections	Connectors for ETT032/050 Flying cables for ETT025
Accuracy	±0.05 mm

Technical Characteristics

Technical Data

ETT025

ETT025		ETT025S1	ETT025S2	ETT025S3
	Unit			
Power supply 230 VAC				
Effective stroke	[mm]	30 ... 360		
Rated force	[N]	6	9	12
Peak force for 10 s ¹⁾	[N]	24	36	48
Maximum speed ²⁾	[m/s]	4		
Peak acceleration ³⁾	[m/s ²]	200		
Actuator length	[mm]	162		
Slider length w/o stop	[mm]	215 ... 545		
Slider weight	[kg]	0.224 ... 0.618		
Slider diameter	[mm]	12		
Pole pitch	[mm]	60		
Force constant	[N/A]	8.57	12.86	17.14
Back EMF	[V/(m/s)]	n.a		
Phase resistance	[ohm]	16.5	24.5	32.5
Phase inductance	[mH]	7.3	11	14.6
Position repeatability	[mm]	± 0.05		

¹⁾ Data valid at an ambient temperature of 40 °C

²⁾ Based on triangular move over maximum stroke with nominal payload

³⁾ Based on a 50 mm stroke, without payload

ETT032

ETT032		ETT032S1	ETT032S2	ETT032S3
	Unit			
Power supply 230 VAC				
Effective stroke	[mm]	30 ... 660	30 ... 630	30 ... 600
Rated force	[N]	13	19	25
Peak force for 10 s ¹⁾	[N]	52	76	100
Maximum speed ²⁾	[m/s]	4		
Peak acceleration ³⁾	[m/s ²]	200		
Actuator length	[mm]	179	209	239
Slider length w/o stop	[mm]	221 ... 851		
Slider weight	[kg]	0.389 ... 1.63		
Slider diameter	[mm]	16		
Pole pitch	[mm]	60		
Force constant	[N/A]	19.12	30.65	40.32
Back EMF	[V/(m/s)]	7	10.6	14.4
Phase resistance	[ohm]	29	43	56
Phase inductance	[mH]	16	24	32
Position repeatability	[mm]	± 0.05		

¹⁾ Data valid at an ambient temperature of 40 °C

²⁾ Based on triangular move over maximum stroke with nominal payload

³⁾ Based on a 50 mm stroke, without payload

ETT050

ETT050		ETT050S1	ETT050S2	ETT050S3
	Unit			
Power supply 230 VAC				
Effective stroke	[mm]	30 ... 720	30 ... 690	30 ... 540
Rated force	[N]	32	48	128
Peak force for 10 s ¹⁾	[N]	128	192	512
Maximum speed ²⁾	[m/s]	4		
Peak acceleration ³⁾	[m/s ²]	200		
Actuator length	[mm]	206	236	386
Slider length w/o stop	[mm]	254 ... 944		
Slider weight	[kg]	0.56 ... 2.12		
Slider diameter	[mm]	25		
Pole pitch	[mm]	60		
Force constant	[N/A]	51.61	77.42	206.45
Back EMF	[V/(m/s)]	12.6	18.9	25.2
Phase resistance	[ohm]	44	66	44
Phase inductance	[mH]	28	42	38
Position repeatability	[mm]	± 0.05		

¹⁾ Data valid at an ambient temperature of 40 °C

²⁾ Based on triangular move over maximum stroke with nominal payload

³⁾ Based on a 50 mm stroke, without payload

Standards and Conformance

Low Voltage Directive

- 2006/95/EC

EMC Directive

- 2004/108/EC

Generic standard - Emission standard for industrial environments

- CEI EN 61000-6-4:2007

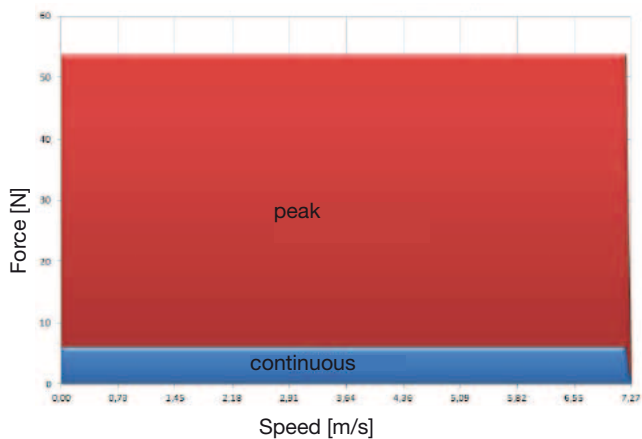
Generic standard - Immunity for industrial environments

- CEI EN 61000-6-2:2006

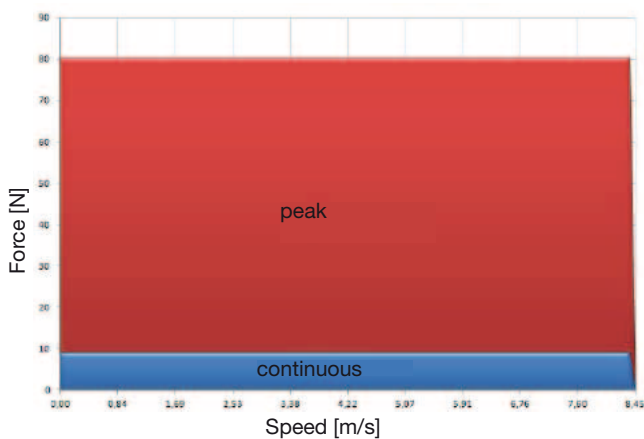
Marked 

Speed Force Curves ¹⁾

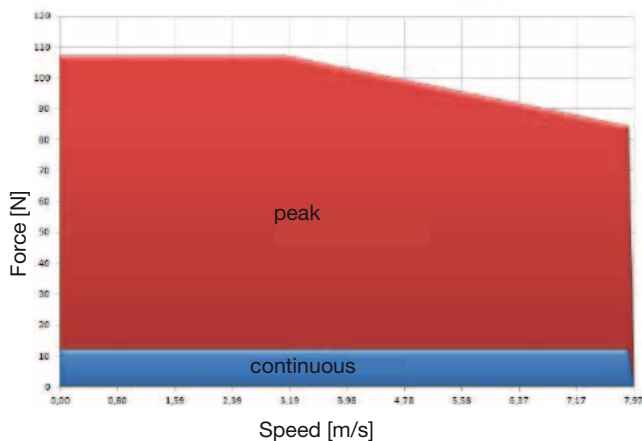
ETT025-S1 force / velocity curves



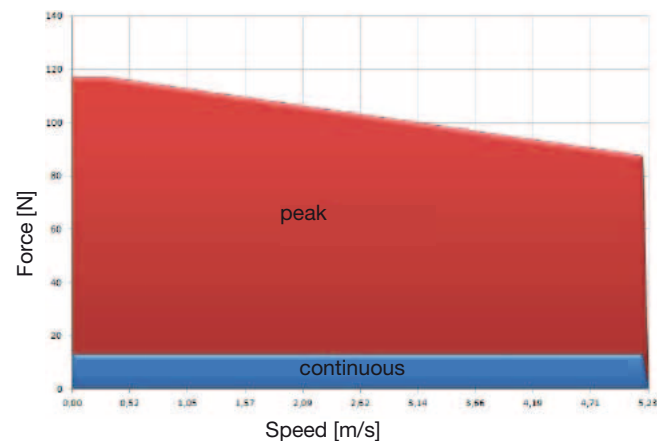
ETT025-S2 force / velocity curves



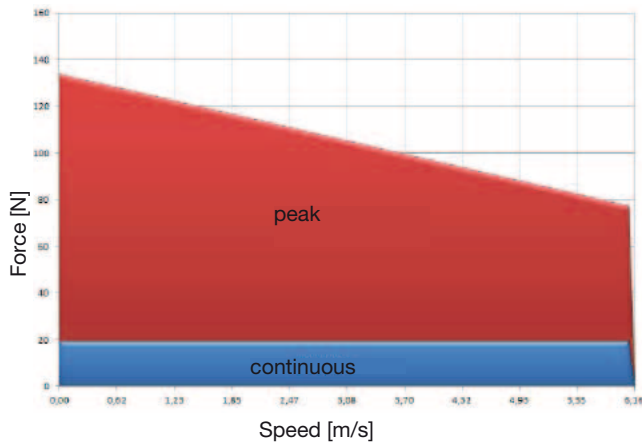
ETT025-S3 force / velocity curves



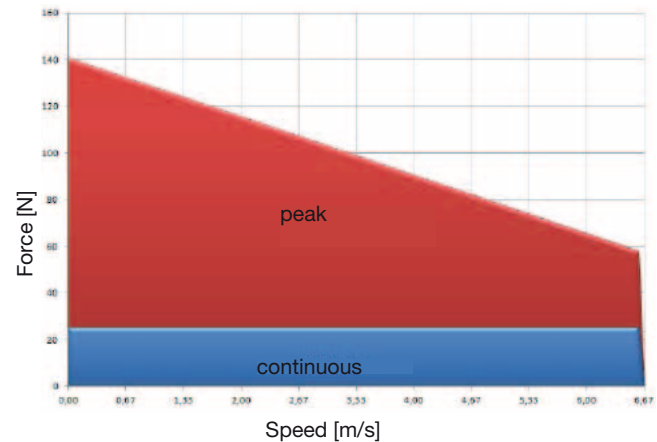
ETT032-S1 force / velocity curves



ETT032-S2 force / velocity curves



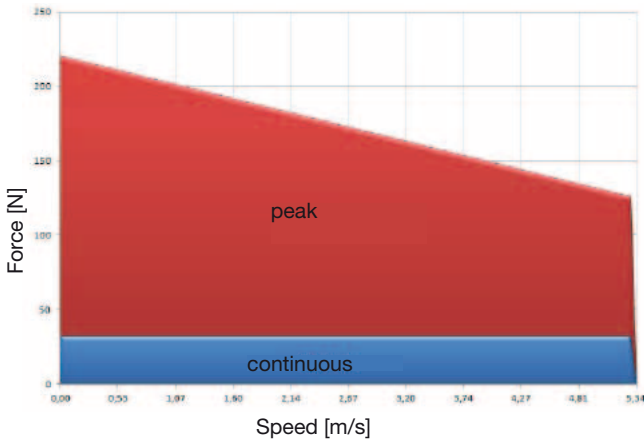
ETT032-S3 force / velocity curves



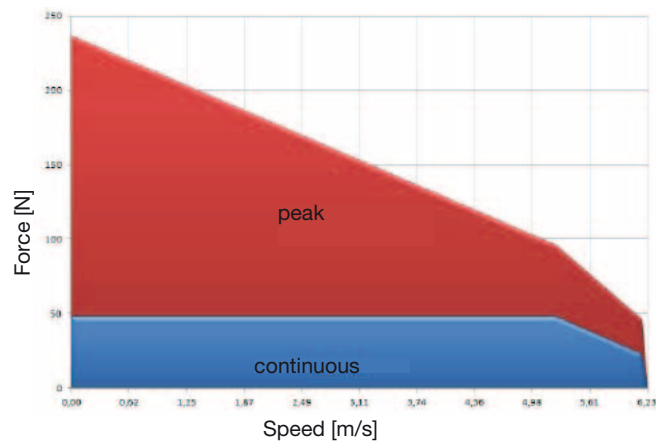
¹⁾ Based on triangular move over maximum stroke without payload

Speed Force Curves ¹⁾

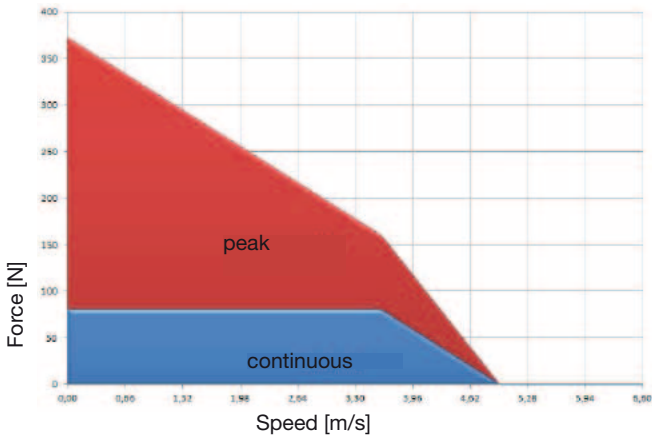
ETT050-S1 force / velocity curves



ETT050-S2 force / velocity curves



ETT050-S3 force / velocity curves



¹⁾ Based on triangular move over maximum stroke without payload

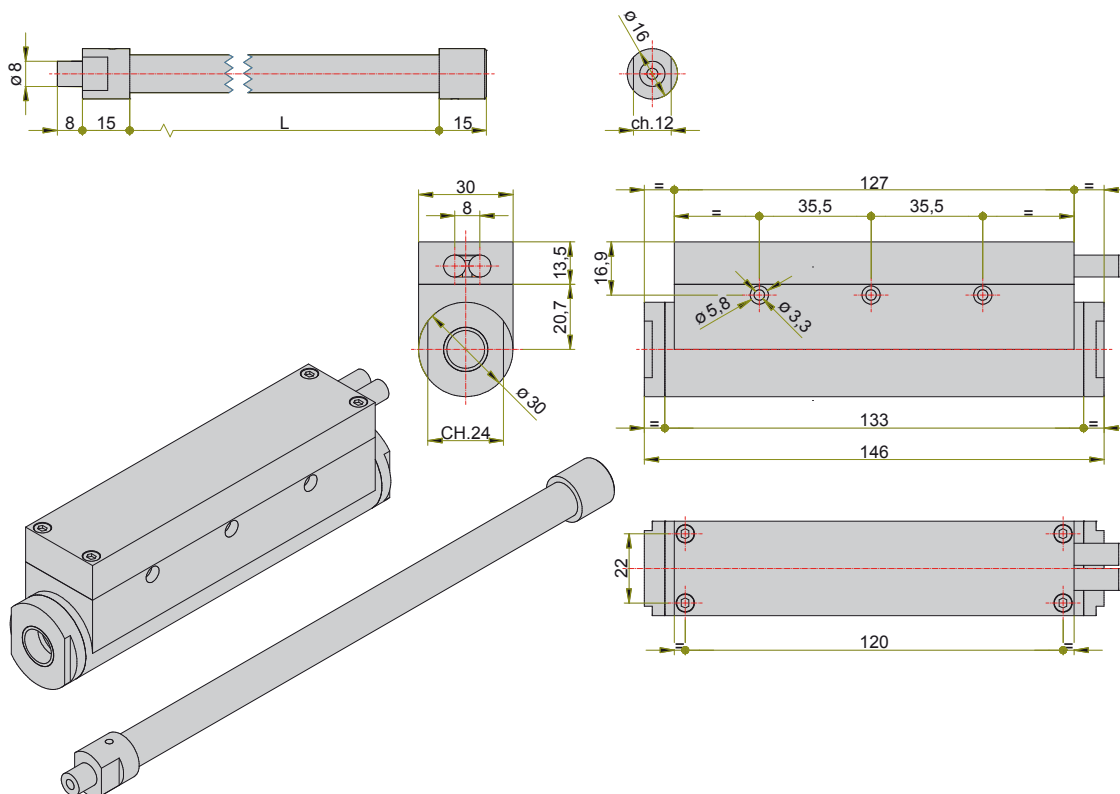
Associated Drives

Parker can also offer suitable servo drives with a variety of different technology functions and communication options for use with the ETT series.

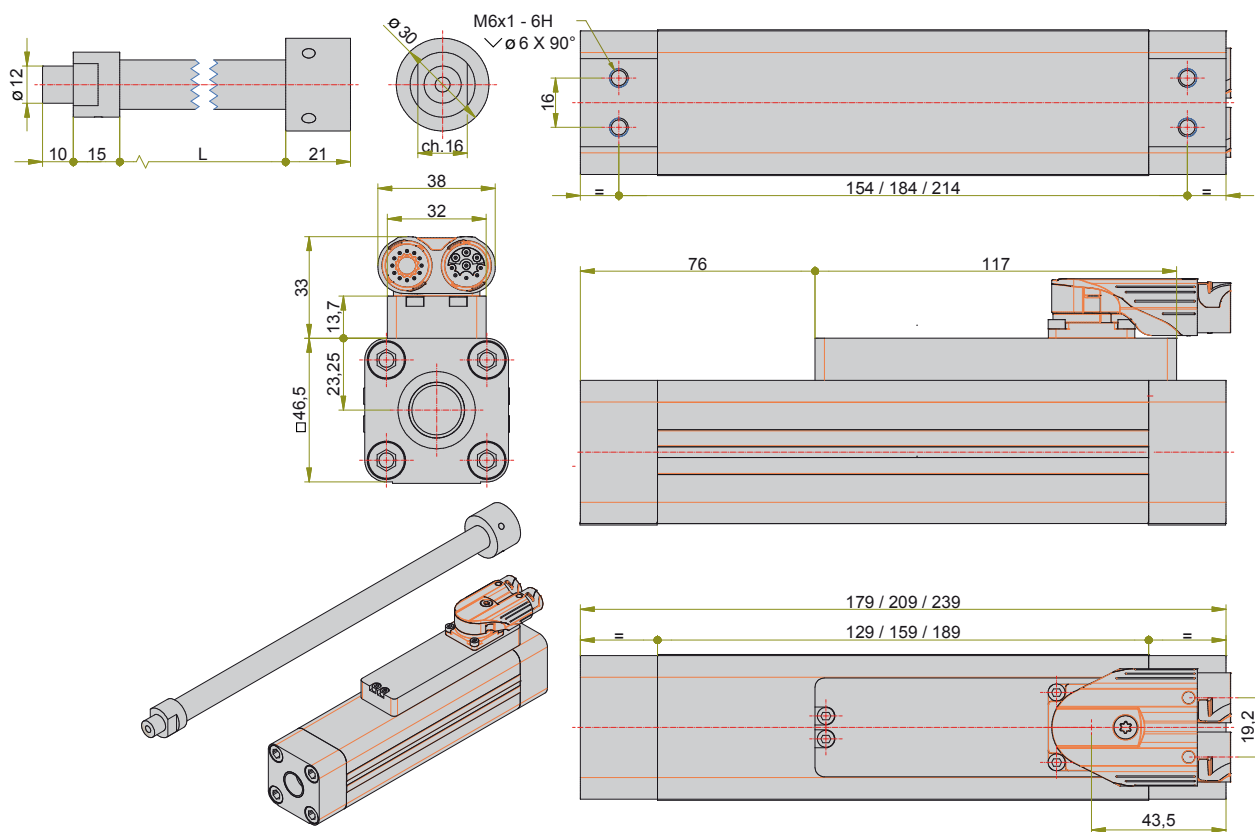
ETT Type	Continuous current [A]	SLVD-N	Compax3
ETT025S1	0.7	SLVD2N...	C3S025V2...
ETT025S2	0.7		
ETT025S3	0.7		
ETT032S1	0.68		
ETT032S2	0.62		
ETT032S3	0.62		
ETT050S1	0.62		
ETT050S2	0.62		
ETT050S3	0.62		

Dimensions

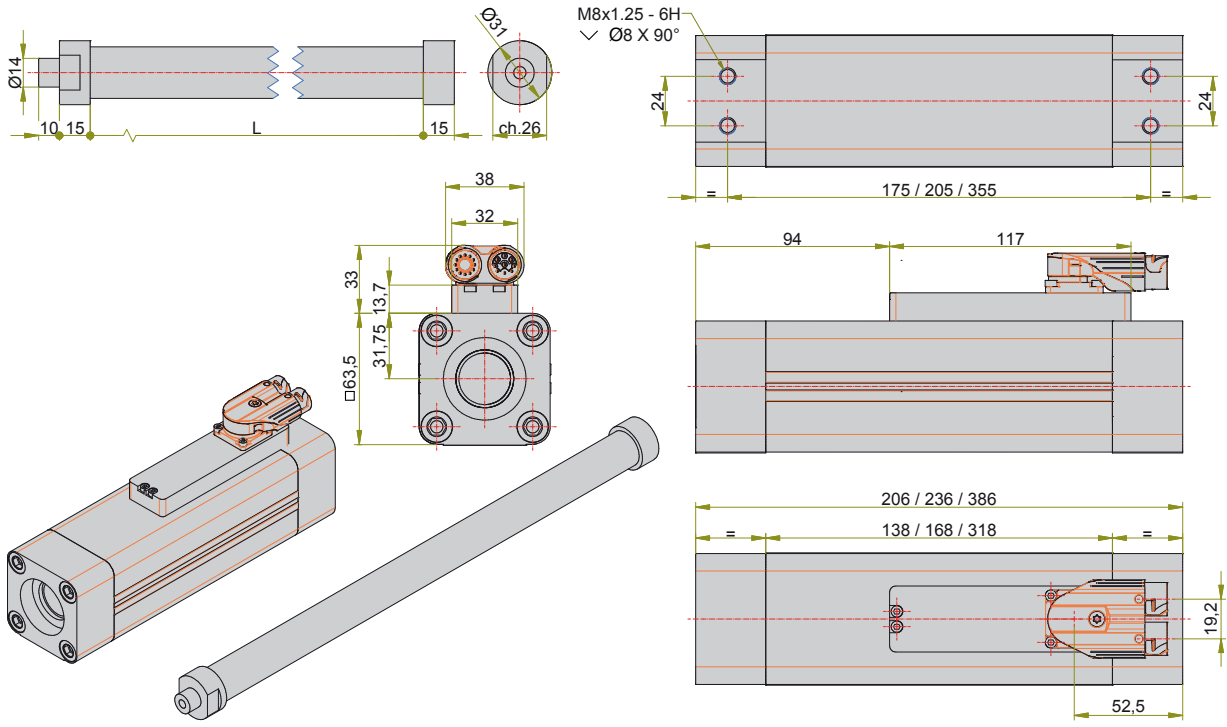
ETT025



ETT032

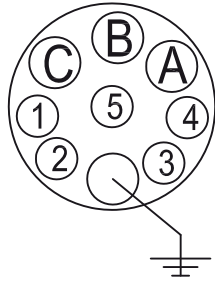


ETT050

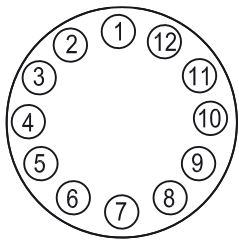


Layout and Connectors ETT032 & ETT050

Power connector



Feedback connector



Pin	Description
A	U
B	W
C	V
PE	PE
1	nc
2	nc
3	nc
4	nc
5	nc

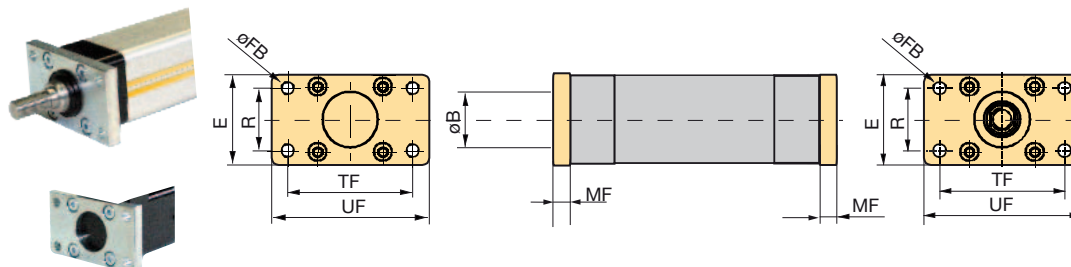
Pin	Description
1	cos -
2	cos +
3	nc
4	KTY84 -
5	KTY84 +
6	nc
7	sin -
8	sin +
9	nc
10	+5 V
11	nc
12	GND

ETT025 available with flying leads only

Accessories and Options

Mounting Methods

Front and Rear Plate



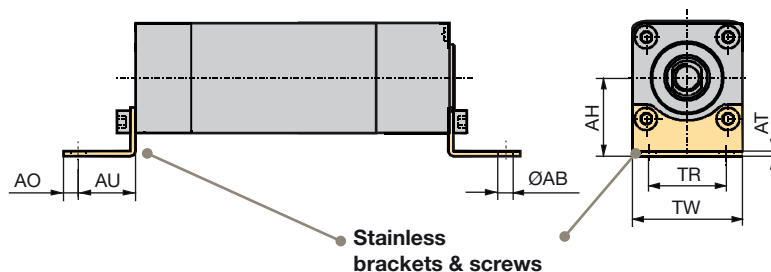
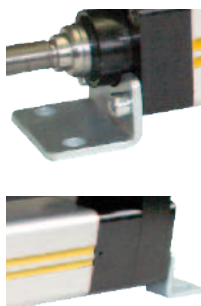
Front and rear plate dimensions

	Order no. (1 piece)	UF	E	TF	øFB	R	MF	øB
		[mm]	[mm]	[mm]	[mm]	[mm]	[mm]	[mm]
ETT032	0112.918	80	48	64	7	32	10	30
ETT050	0122.918	110	65	90	9	45	12	40

Spare parts delivery is including screws for mounting.

Please note that front and rear plate as spare parts must be ordered separately.

Mounting Brackets

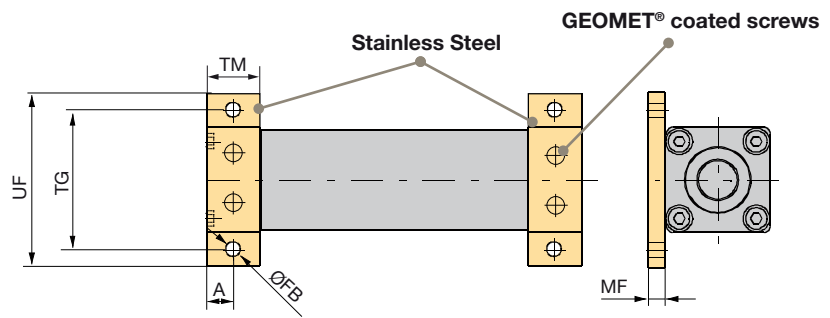
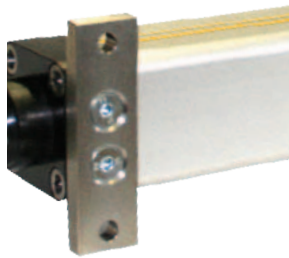


	Order no. Front & Terminal bracket	AH	AT	TR	øAB (H14)	AO	AU	TW
		[mm]	[mm]	[mm]	[mm]	[mm]	[mm]	[mm]
ETT032	0112.916	32	4	32	7	8	24	46.5
ETT050	0122.916	44	4	45	9	12	32	63.5

Spare parts delivery is including screws for mounting.

* For protection classes, we recommend GEOMET® coated screws (thin layer corrosion protection).

Mounting Flanges



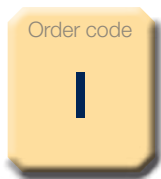
	Order no. (1 piece)	TG	UF	ØFB	TM	MF	A
		[mm]	[mm]	[mm]	[mm]	[mm]	[mm]
ETT032	0112.917	62	78	6.6	25	8	12.5
ETT050	0122.917	84	104	9	30	10	15

Spare parts delivery is including screws for mounting.

* For protection classes, we recommend GEOMET® coated screws (thin layer corrosion protection).

Cylinder Rod Version

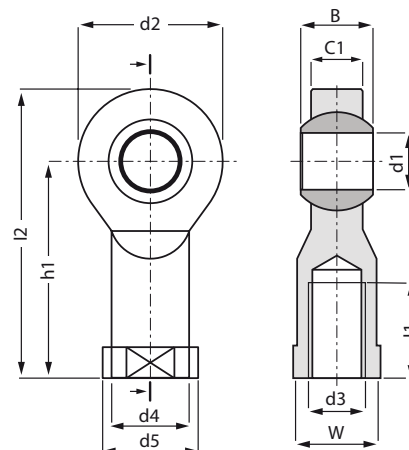
Plastic Swivel Rod Eye



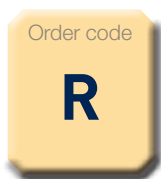
manufactured by igus®

KBRM	-05	-06	-08
	ETT025	ETT032	ETT050
d1 E10	5	6	8
d2	18	20	24
d3	M5	M6	M8
d4	9.0	10.0	13.0
d5	12.0	13.0	16.0
C1	6.0	7.0	9.0
B without MH*	8	9	12
B with MH*	8.1	9.2	12.2
h1	27	30	36
l1	10	12	16
l2	36	40	48
W	SW09	SW11	SW14
Pitch	30°	29°	25°

* MH: metal insert



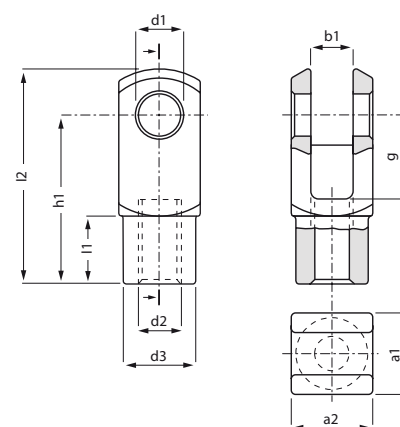
Plastic Rod Clevis



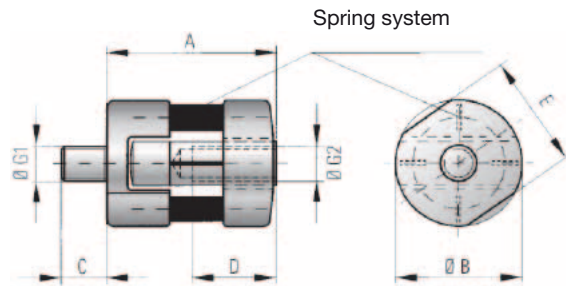
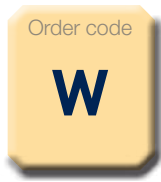
manufactured by igus®

GERM	-05	-06	-08
	ETT025	ETT032	ETT050
d1 H9	5	6	8
g h11	12	12	16
a1 +0.3 / -0.16	12	12	16
a2 +0.3 / -0.16	12	12	16
b1 B13	6	6	8
d2 6H*	M5	M6	M8
d3 +0.3 / -0.3	10.0	10.0	14.0
l2 +0.5 / -0.5	31.0	31.0	42.0
h1 +0.3 / -0.3	24.0	24.0	32.0
l1 +0.2 / -0.2	9.0	9.0	12.0

* Thread tolerance



Alignment Coupler



manufactured by R+W®

LK	-70	-150	-300
	ETT025	ETT032	ETT050
Pressure force [N]	70	150	300
A	24	33	41.5
B	18	22	30
G1/2	M5	M6	M8
G1/2* [Nm]	4	7	18
C	6.5	8	10
D	10	12	16
E	16	20	27
Mass	11	23	57
Lateral restoring force _(max) (N)	10	18	48
lateral _(max) [mm]	0.5	0.5	0.5
angular _(max)	1.5°	1.5°	1.5°

* Max. tightening torque thread

Feedback

Internal position sensor

The standard position sensor is an analogue Sine/Cosine 1 Vpp signal. The table shows the different position feedback:

Sine /Cosine	Standard feedback
---------------------	-------------------

External position sensor

For highest precision demands an external position sensor is available:

TTK50 – HXQ0K02	<p>Hiperface external feedback, cable length 2 m</p> <ul style="list-style-type: none"> • Measure step: 0.244 µm at interpolation of the sine/cosine signals with e.g. 12 bit • Length of period: 1 mm • Measured length: 940 mm max. • System accuracy (ambient temperature): ±10 µm (+20 °C) • Repeat accuracy: <5 µm • Hysteresis error: <10 µm
MSK500010KE1/20LDI000505	<p>Incremental linear feedback</p> <ul style="list-style-type: none"> • Resolution up to 0.001 mm • Free programmable parameters (e.g. resolution) via optical interface • Status LEDs • Real-time data processing • Scale MB500 (linear) / MR500 (radial) • Fix and periodical reference signals

Order Code

ETT Electric Tubular Motor (Complete Unit)

	1	2	3	4	5	6	7	8	9
Order example	ETT	032	S1	CS	M	N	...	C	

1 Type	ETT Electric Tubular Motor
2 Size	025 ISO 6432 - Bore 25 mm 032 ISO 6432 - Bore 32 mm 050 ISO 6432 - Bore 50 mm
3 Winding	S1 Serial, Stack Length 1 S2 Serial, Stack Length 2 S3 Serial, Stack Length 3
4 Connection and Feedback Type	CS Intercontec Connector (Springtec EEDA101NN0000002000) - Feedback Analogue SinCos 1 Vpp - Not for ETT025 1S Flying leads, Length 1 m, rear output - Feedback Analogue SinCos 1 Vpp - Only ETT025 2S Flying leads, Length 2.5 m, rear output - Feedback Analogue SinCos 1 Vpp - Only ETT025 5S Flying leads, Length 5 m, rear output - Feedback Analogue SinCos 1 Vpp - Only ETT025
5 Rod End Mounting - Front / Rear	M Male Thread / Cap End (M5 for ETT025, M6 for ETT032, M8 for ETT050) F Female Thread / Cap End (M5 for ETT025, M6 for ETT032, M8 for ETT050) N Male Thread / Male Thread (M5 for ETT025, M6 for ETT032, M8 for ETT050) G Female Thread / Female Thread (M5 for ETT025, M6 for ETT032, M8 for ETT050) W Linear Coupling / Cap End R+W: LK70 for ETT025, LK150 for ETT032, LK300 for ETT050 I Swivel Rod Eye igus KBRM-05 for ETT025 R Clevis igus GERM05 for ETT025 X Special (Customized version - Please contact Parker)
6 Fixed Field	N Fixed field
7 Stroke*	30 30 mm 720 720 mm
8 Protection Class	C IP67
9 Customized Options	Blank for standard motors

ETT - Motor and Signal Cable

	1	2	3	4	5	6	7
Order example	ETT-CAP	X	003	PM	-	Y1	SL - 00

1 Cable Type	ETT-CAP Power cable for ETT ETT-CAS Signal cable for ETT - COS
2 Fixed Field	X Fixed field
3 Cable Length	001 1 m 003 3 m 005 5 m 007 7 m 010 10 m 015 15 m 020 20 m
4 Application Type	PM High flex cable
5 Connector	Y1 Intercontec Connector X Special Execution
6 Drive Type	SL SLVD-N Drive C3 Compax3
7 Option	00 No special option Special customer drawing

* Please see values in table "ETT - Length of Rod / Table of Stroke" (page 18)

ETT Electric Tubular Motor (Rod only)

	1	2	3	4	5
Order example	ETT-R	032	M	...	

1	Type	ETT-R Electric Tubular Motor - Rod only
2	Size	025 ISO 6432 - Bore 25 mm 032 ISO 6432 - Bore 32 mm 050 ISO 6432 - Bore 50 mm
3	Rod End Mounting - Front / Rear	M Male Thread / Cap End (M5 for ETT025, M6 for ETT032, M8 for ETT050) F Female Thread / Cap End (M5 for ETT025, M6 for ETT032, M8 for ETT050) N Male Thread / Male Thread (M5 for ETT025, M6 for ETT032, M8 for ETT050) G Female Thread / Female Thread (M5 for ETT025, M6 for ETT032, M8 for ETT050) W Linear Coupling / Cap End R+W: LK70 for ETT025, LK150 for ETT032, LK300 for ETT050 I Swivel Rod Eye igus KBRM-05 for ETT025 R Clevis igus GERM05 for ETT025 X Special (Customized version - Please contact Parker)
4	Length*	215 215 mm 944 944 mm
5	Customized Options	Blank for standard motors

* Please see values in table "ETT - Length of Rod / Table of Stroke" (page 18)

ETT Electric Tubular Motor (Coil only)

	1	2	3	4	5	6	7
Order example	ETT-C	032	S1	CS	N	C	

1	Type	ETT-C Electric Tubular Motor - Coil only
2	Size	025 ISO 6432 - Bore 25 mm 032 ISO 6432 - Bore 32 mm 050 ISO 6432 - Bore 50 mm
3	Winding	S1 Serial, Stack Length 1 S2 Serial, Stack Length 2 S3 Serial, Stack Length 3
4	Connection and Feedback Type	CS Intercontec Connector (Springtec EEDA101NN00000002000) - Feedback Analogue SinCos 1 Vpp - Not for ETT025 1S Flying leads, Length 1 m, rear output - Feedback Analogue SinCos 1 Vpp - Only ETT025 2S Flying leads, Length 2.5 m, rear output - Feedback Analogue SinCos 1 Vpp - Only ETT025 5S Flying leads, Length 5 m, rear output - Feedback Analogue SinCos 1 Vpp - Only ETT025
5	Fixed Field	N Fixed Field
6	Protection Class	C IP67
7	Customized Options	Blank for standard motors

ETT - Length of Rod / Table of Stroke

ETT025

Length of Rod [mm]	Stroke		
	Stack Length		
	S1 [mm]	S2 [mm]	S3 [mm]
215		30	
245		60	
275		90	
305		120	
335		150	
365		180	
395		210	
425		240	
455		270	
485		300	
515*		330	
545*		360	

ETT050

Length of Rod [mm]	Stroke		
	Stack Length		
	S1 [mm]	S2 [mm]	S3 [mm]
254	30	0	0
284	60	30	0
314	90	60	0
344	120	90	0
374	150	120	0
404	180	150	0
434	210	180	30
464	240	210	60
494	270	240	90
524	300	270	120
554	330	300	150
584	360	330	180
614	390	360	210
644	420	390	240
674	450	420	270
704	480	450	300
734	510	480	330
764	540	510	360
794	570	540	390
824	600	570	420
854	630	600	450
884*	660	630	480
914*	690	660	510
944*	720	690	540

ETT032

Length of Rod [mm]	Stroke		
	Stack Length		
	S1 [mm]	S2 [mm]	S3 [mm]
221	30	0	0
251	60	30	0
281	90	60	30
311	120	90	60
341	150	120	90
371	180	150	120
401	210	180	150
431	240	210	180
461	270	240	210
491	300	270	240
521	330	300	270
551	360	330	300
581	390	360	330
611	420	390	360
641	450	420	390
671	480	450	420
701	510	480	450
731*	540	510	480
761*	570	540	510
791*	600	570	540
821*	630	600	570
851*	660	630	600

* Needs specific mechanical mounting. Special length available on request



Parker's Motion & Control Technologies

At Parker, we're guided by a relentless drive to help our customers become more productive and achieve higher levels of profitability by engineering the best systems for their requirements. It means looking at customer applications from many angles to find new ways to create value. Whatever the motion and control technology need, Parker has the experience, breadth of product and global reach to consistently deliver. No company knows more about motion and control technology than Parker. For further info call 00800 27 27 5374



Aerospace

Key Markets

Aftermarket services
Commercial transports
Engines
General & business aviation
Helicopters
Launch vehicles
Military aircraft
Missiles
Power generation
Regional transports
Unmanned aerial vehicles

Key Products

Control systems & actuation products
Engine systems & components
Fluid conveyance systems & components
Fluid metering, delivery & atomization devices
Fuel systems & components
Fuel tank inerting systems
Hydraulic systems & components
Thermal management
Wheels & brakes



Climate Control

Key Markets

Agriculture
Air conditioning
Construction Machinery
Food & beverage
Industrial machinery
Life sciences
Oil & gas
Precision cooling
Process
Refrigeration
Transportation

Key Products

Accumulators
Advanced actuators
CO₂ controls
Electronic controllers
Filter driers
Hand shut-off valves
Heat exchangers
Hose & fittings
Pressure regulating valves
Refrigerant distributors
Safety relief valves
Smart pumps
Solenoid valves
Thermostatic expansion valves



Electromechanical

Key Markets

Aerospace
Factory automation
Life science & medical
Machine tools
Packaging machinery
Paper machinery
Plastics machinery & converting
Primary metals
Semiconductor & electronics
Textile
Wire & cable

Key Products

AC/DC drives & systems
Electric actuators, gantry robots & slides
Electrohydraulic actuation systems
Electromechanical actuation systems
Human machine interface
Linear motors
Stepper motors, servo motors, drives & controls
Structural extrusions



Filtration

Key Markets

Aerospace
Food & beverage
Industrial plant & equipment
Life sciences
Marine
Mobile equipment
Oil & gas
Power generation & renewable energy
Process
Transportation
Water Purification

Key Products

Analytical gas generators
Compressed air filters & dryers
Engine air, coolant, fuel & oil filtration systems
Fluid condition monitoring systems
Hydraulic & lubrication filters
Hydrogen, nitrogen & zero air generators
Instrumentation filters
Membrane & fiber filters
Microfiltration
Sterile air filtration
Water desalination & purification filters & systems



Fluid & Gas Handling

Key Markets

Aerial lift
Agriculture
Bulk chemical handling
Construction machinery
Food & beverage
Fuel & gas delivery
Industrial machinery
Life sciences
Marine
Mining
Mobile
Oil & gas
Renewable energy
Transportation

Key Products

Check valves
Connectors for low pressure fluid conveyance
Deep sea umbilicals
Diagnostic equipment
Hose couplings
Industrial hose
Mooring systems & power cables
PTFE hose & tubing
Quick couplings
Rubber & thermoplastic hose
Tube fittings & adapters
Tubing & plastic fittings



Hydraulics

Key Markets

Aerial lift
Agriculture
Alternative energy
Construction machinery
Forestry
Industrial machinery
Machine tools
Marine
Material handling
Mining
Oil & gas
Power generation
Refuse vehicles
Renewable energy
Truck hydraulics
Turf equipment

Key Products

Accumulators
Cartridge valves
Electrohydraulic actuators
Human machine interfaces
Hybrid drives
Hydraulic cylinders
Hydraulic motors & pumps
Hydraulic systems
Hydraulic valves & controls
Hydrostatic steering
Integrated hydraulic circuits
Power take-offs
Power units
Rotary actuators
Sensors



Pneumatics

Key Markets

Aerospace
Conveyor & material handling
Factory automation
Life science & medical
Machine tools
Packaging machinery
Transportation & automotive

Key Products

Air preparation
Brass fittings & valves
Manifolds
Pneumatic accessories
Pneumatic actuators & grippers
Pneumatic valves & controls
Quick disconnects
Rotary actuators
Rubber & thermoplastic hose & couplings
Structural extrusions
Thermoplastic tubing & fittings
Vacuum generators, cups & sensors



Process Control

Key Markets

Alternative fuels
Biopharmaceuticals
Chemical & refining
Food & beverage
Marine & shipbuilding
Medical & dental
Microelectronics
Nuclear Power
Offshore oil exploration
Oil & gas
Pharmaceuticals
Power generation
Pulp & paper
Steel
Water/wastewater

Key Products

Analytical Instruments
Analytical sample conditioning products & systems
Chemical injection fittings & valves
Fluoropolymer chemical delivery fittings, valves & pumps
High purity gas delivery fittings, valves, regulators & digital flow controllers
Industrial mass flow meters/controllers
Permanent no-weld tube fittings
Precision industrial regulators & flow controllers
Process control double block & bleeds
Process control fittings, valves, regulators & manifold valves



Sealing & Shielding

Key Markets

Aerospace
Chemical processing
Consumer
Fluid power
General industrial
Information technology
Life sciences
Microelectronics
Military
Oil & gas
Power generation
Renewable energy
Telecommunications
Transportation

Key Products

Dynamic seals
Elastomeric o-rings
Electro-medical instrument design & assembly
EMI shielding
Extruded & precision-cut, fabricated elastomeric seals
High temperature metal seals
Homogeneous & inserted elastomeric shapes
Medical device fabrication & assembly
Metal & plastic retained composite seals
Shielded optical windows
Silicone tubing & extrusions
Thermal management
Vibration dampening

Parker Worldwide

Europe, Middle East, Africa

AE – United Arab Emirates, Dubai
Tel: +971 4 8127100
parker.me@parker.com

AT – Austria, Wiener Neustadt
Tel: +43 (0)2622 23501-0
parker.austria@parker.com

AT – Eastern Europe, Wiener Neustadt
Tel: +43 (0)2622 23501 900
parker.easteurope@parker.com

AZ – Azerbaijan, Baku
Tel: +994 50 2233 458
parker.azerbaijan@parker.com

BE/LU – Belgium, Nivelles
Tel: +32 (0)67 280 900
parker.belgium@parker.com

BG – Bulgaria, Sofia
Tel: +359 2 980 1344
parker.bulgaria@parker.com

BY – Belarus, Minsk
Tel: +375 17 209 9399
parker.belarus@parker.com

CH – Switzerland, Etoy
Tel: +41 (0)21 821 87 00
parker.switzerland@parker.com

CZ – Czech Republic, Klecany
Tel: +420 284 083 111
parker.czechrepublic@parker.com

DE – Germany, Kaarst
Tel: +49 (0)2131 4016 0
parker.germany@parker.com

DK – Denmark, Ballerup
Tel: +45 43 56 04 00
parker.denmark@parker.com

ES – Spain, Madrid
Tel: +34 902 330 001
parker.spain@parker.com

FI – Finland, Vantaa
Tel: +358 (0)20 753 2500
parker.finland@parker.com

FR – France, Contamine s/Arve
Tel: +33 (0)4 50 25 80 25
parker.france@parker.com

GR – Greece, Athens
Tel: +30 210 933 6450
parker.greece@parker.com

HU – Hungary, Budaörs
Tel: +36 23 885 470
parker.hungary@parker.com

IE – Ireland, Dublin
Tel: +353 (0)1 466 6370
parker.ireland@parker.com

IT – Italy, Corsico (MI)
Tel: +39 02 45 19 21
parker.italy@parker.com

KZ – Kazakhstan, Almaty
Tel: +7 7273 561 000
parker.easteurope@parker.com

NL – The Netherlands, Oldenzaal
Tel: +31 (0)541 585 000
parker.nl@parker.com

NO – Norway, Asker
Tel: +47 66 75 34 00
parker.norway@parker.com

PL – Poland, Warsaw
Tel: +48 (0)22 573 24 00
parker.poland@parker.com

PT – Portugal, Leca da Palmeira
Tel: +351 22 999 7360
parker.portugal@parker.com

RO – Romania, Bucharest
Tel: +40 21 252 1382
parker.romania@parker.com

RU – Russia, Moscow
Tel: +7 495 645-2156
parker.russia@parker.com

SE – Sweden, Spånga
Tel: +46 (0)8 59 79 50 00
parker.sweden@parker.com

SK – Slovakia, Banská Bystrica
Tel: +421 484 162 252
parker.slovakia@parker.com

SL – Slovenia, Novo Mesto
Tel: +386 7 337 6650
parker.slovenia@parker.com

TR – Turkey, Istanbul
Tel: +90 216 4997081
parker.turkey@parker.com

UA – Ukraine, Kiev
Tel: +380 44 494 2731
parker.ukraine@parker.com

UK – United Kingdom, Warwick
Tel: +44 (0)1926 317 878
parker.uk@parker.com

ZA – South Africa, Kempton Park
Tel: +27 (0)11 961 0700
parker.southafrica@parker.com

North America

CA – Canada, Milton, Ontario
Tel: +1 905 693 3000

US – USA, Cleveland
Tel: +1 216 896 3000

Asia Pacific

AU – Australia, Castle Hill
Tel: +61 (0)2-9634 7777

CN – China, Shanghai
Tel: +86 21 2899 5000

HK – Hong Kong
Tel: +852 2428 8008

IN – India, Mumbai
Tel: +91 22 6513 7081-85

JP – Japan, Tokyo
Tel: +81 (0)3 6408 3901

KR – South Korea, Seoul
Tel: +82 2 559 0400

MY – Malaysia, Shah Alam
Tel: +60 3 7849 0800

NZ – New Zealand, Mt Wellington
Tel: +64 9 574 1744

SG – Singapore
Tel: +65 6887 6300

TH – Thailand, Bangkok
Tel: +662 186 7000-99

TW – Taiwan, Taipei
Tel: +886 2 2298 8987

South America

AR – Argentina, Buenos Aires
Tel: +54 3327 44 4129

BR – Brazil, Sao Jose dos Campos
Tel: +55 800 727 5374

CL – Chile, Santiago
Tel: +56 2 623 1216

MX – Mexico, Toluca
Tel: +52 72 2275 4200



EMEA Product Information Centre

Free phone: 00 800 27 27 5374

(from AT, BE, CH, CZ, DE, DK, EE, ES, FI, FR, IE, IL, IS, IT, LU, MT, NL, NO, PL, PT, RU, SE, SK, UK, ZA)

US Product Information Centre

Toll-free number: 1-800-27 27 537

www.parker.com